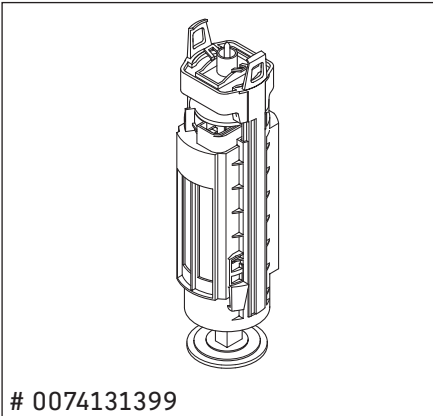
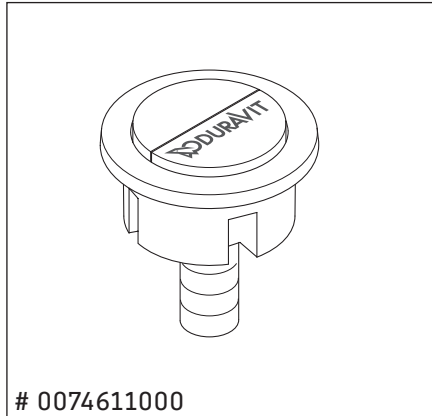


---

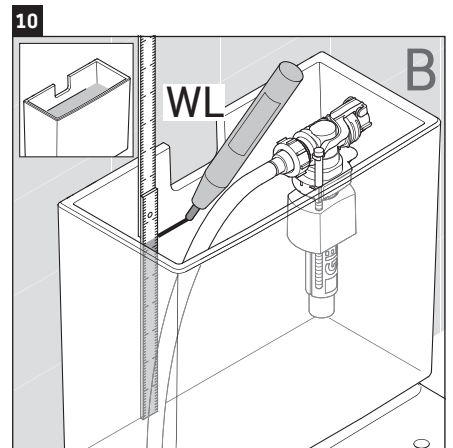
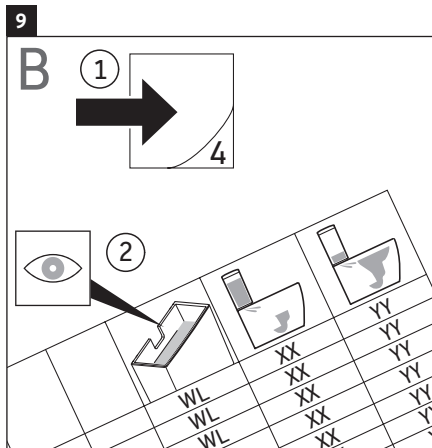
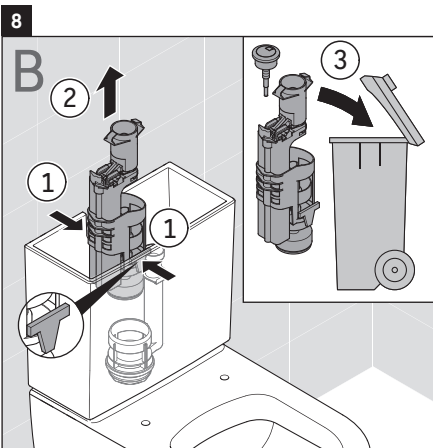
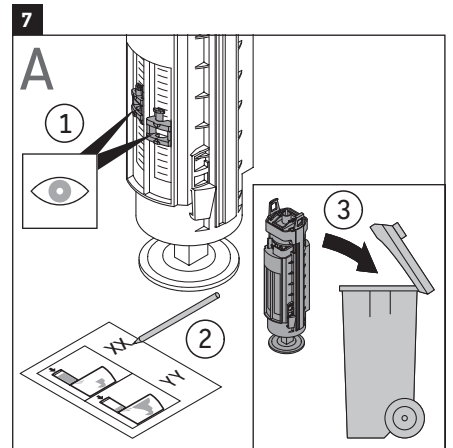
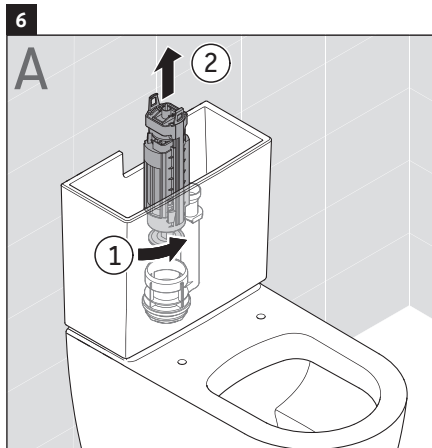
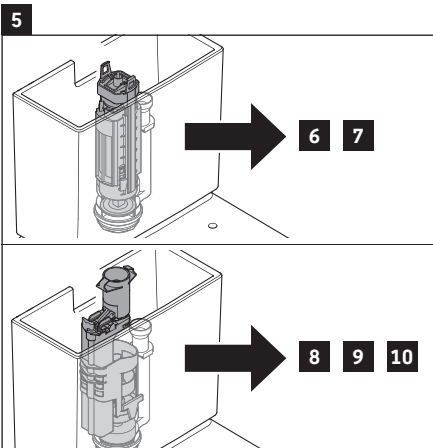
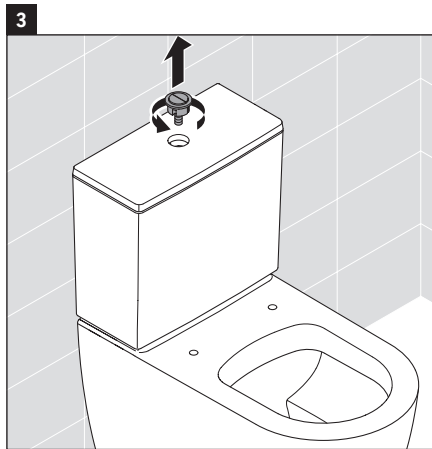
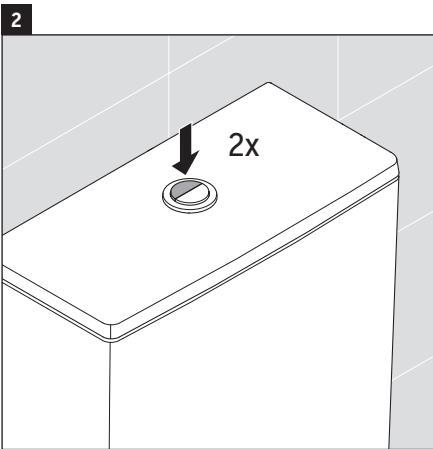
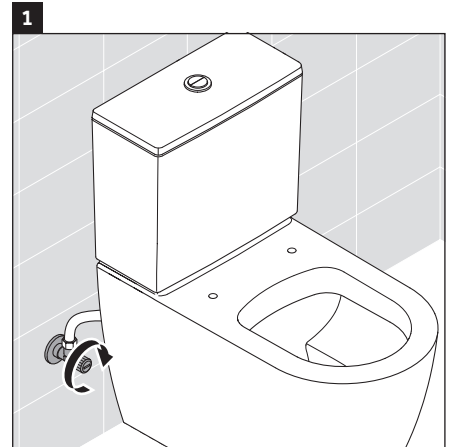
<b>Serviceanleitung</b>	Ablaufventil für Stand-WC Kombination
<b>Service instructions</b>	Flush valve for toilet floor standing combination
<b>Instructions de service</b>	Soupape pour combinaison de cuvette sur pied
<b>Servicehandleiding</b>	Afvoerventiel voor staande-WC combinatie
<b>Instrucciones de mantenimiento</b>	Válvula de descarga para inodoro de pie para tanque alto
<b>Istruzioni di manutenzione</b>	Valvola di scarico per combinazione vaso a pavimento
<b>Instruções de serviço</b>	Válvula de descarga para combinação de bacia WC de chão para tanque alto
<b>Servicevejledning</b>	Skylløgarniture til kombinationstoilet
<b>Huolto-ohje</b>	Tyhjennysventtiili WC-laiteyhdistelmälle, lattia-asennus
<b>Servicehåndbok</b>	Skyllventil for gulvmontert toalett
<b>Serviceanvisning</b>	Utloppsventil för golv-WC kombination
<b>Teenindusjuhend</b>	Põranda külge kinnitatava WC-poti kombinatsiooni äravooluklapp
<b>Instrukcja serwisowa</b>	Zawór spłukiwania do zestawu miski toaletowej stojącej
<b>Руководство по техобслуживанию</b>	Вентиль стока для напольного унитаза, комбинация
<b>Servisní návod</b>	Odtokový ventil pro kombinaci stojícího klozetu
<b>Servisný návod</b>	Výpustný ventil pre kombináciu so stojacím WC
<b>Szerviz útmutató</b>	Lefolyószelep álló – WC készlethez
<b>Upute za servisiranje</b>	Odlazni ventil za kombinacije sa samostojećom WC-školjkom
<b>Instrucțiuni de service</b>	Supapă de scurgere pentru WC
<b>Navodila za servisiranje</b>	Odočni ventil za kombinacijo talne WC školjke
<b>Инструкции за сервис</b>	Дренажен клапан за комбинация с моноблок
<b>Apkopes instrukcija</b>	Noplūdes vārsts uz grīdas uzstādāma tualetes poda kombinācijai
<b>Techninės priežiūros instrukcija</b>	Kombinuoto pastatomo unitazo išleidimo vožtuvas
<b>Servis kılavuzu</b>	Klozet kombinasyonu için boşaltma valfı
服务说明书	落地式座便器组合的溢水阀
수리 설명서	표준 수세식 변기 조합용 배수 밸브
サービス説明書	タンク搭載型便座用排水バルブ
دليل الصيانة	صمام دفع لمجموعة المراحيض

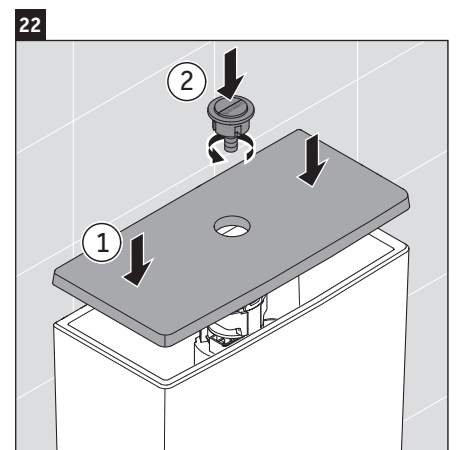
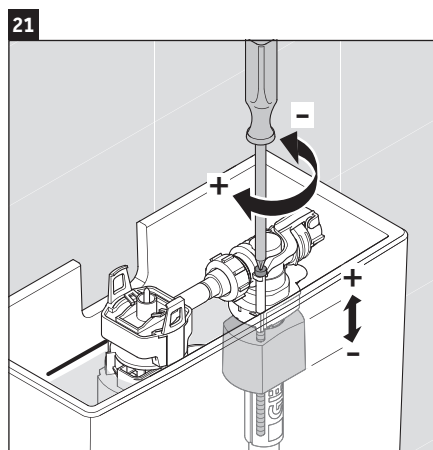
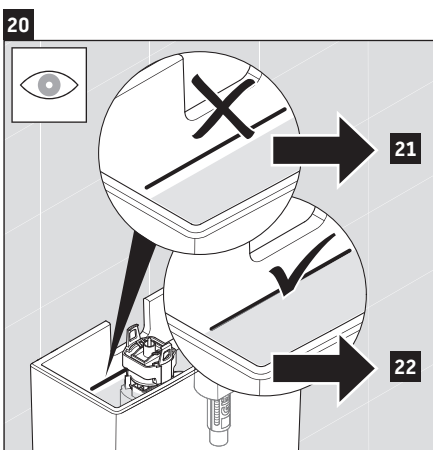
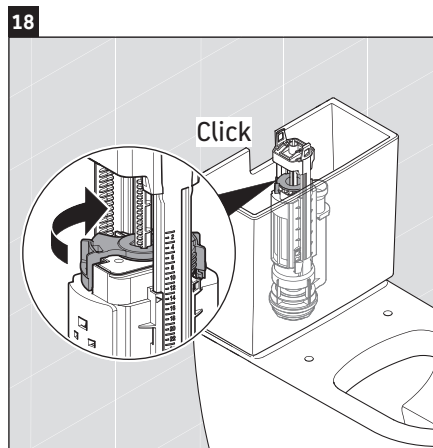
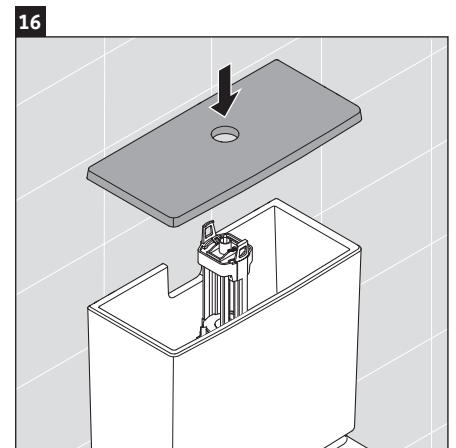
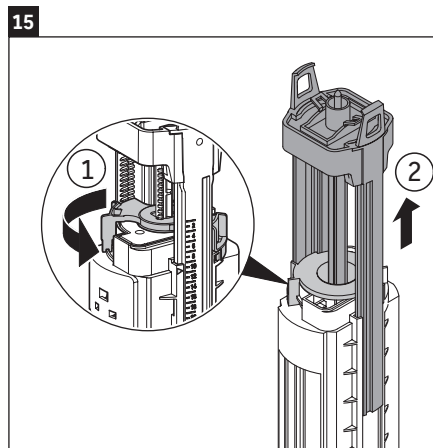
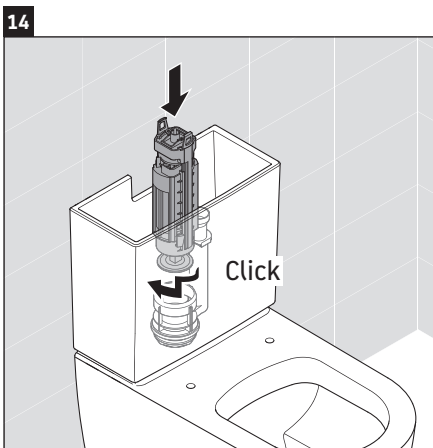
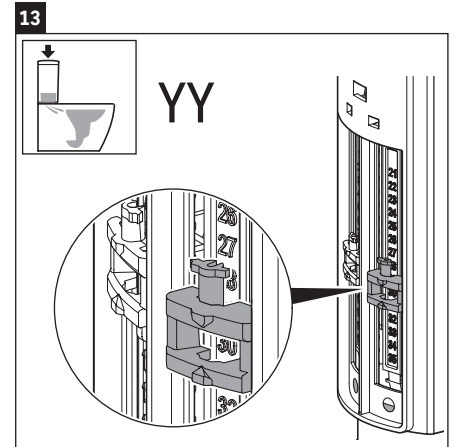
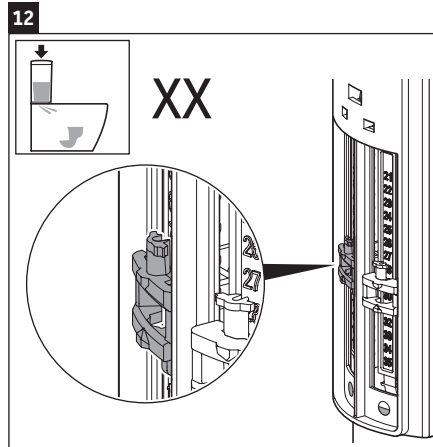
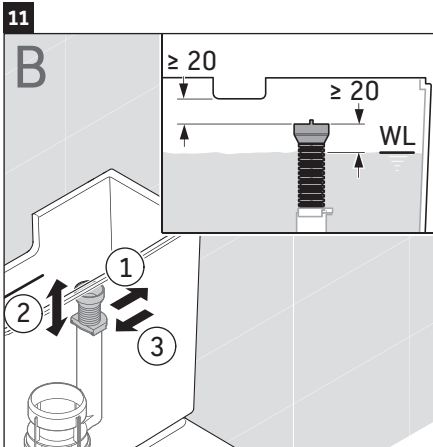


# 0074131399

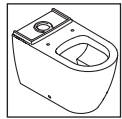
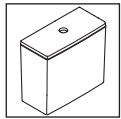
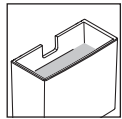
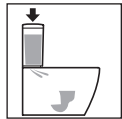



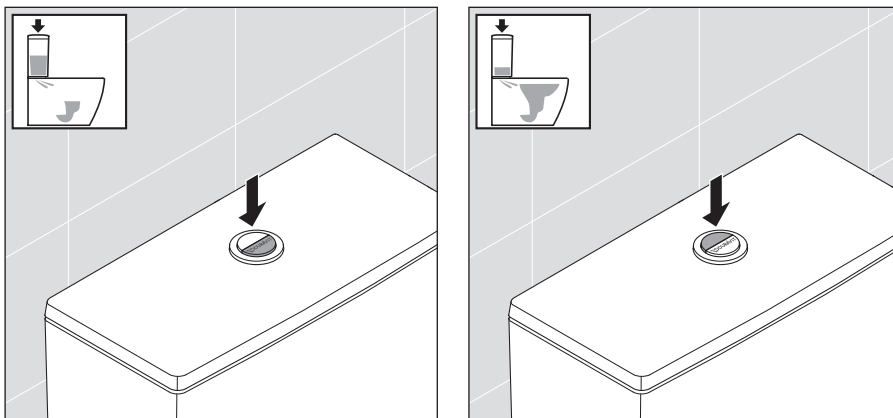
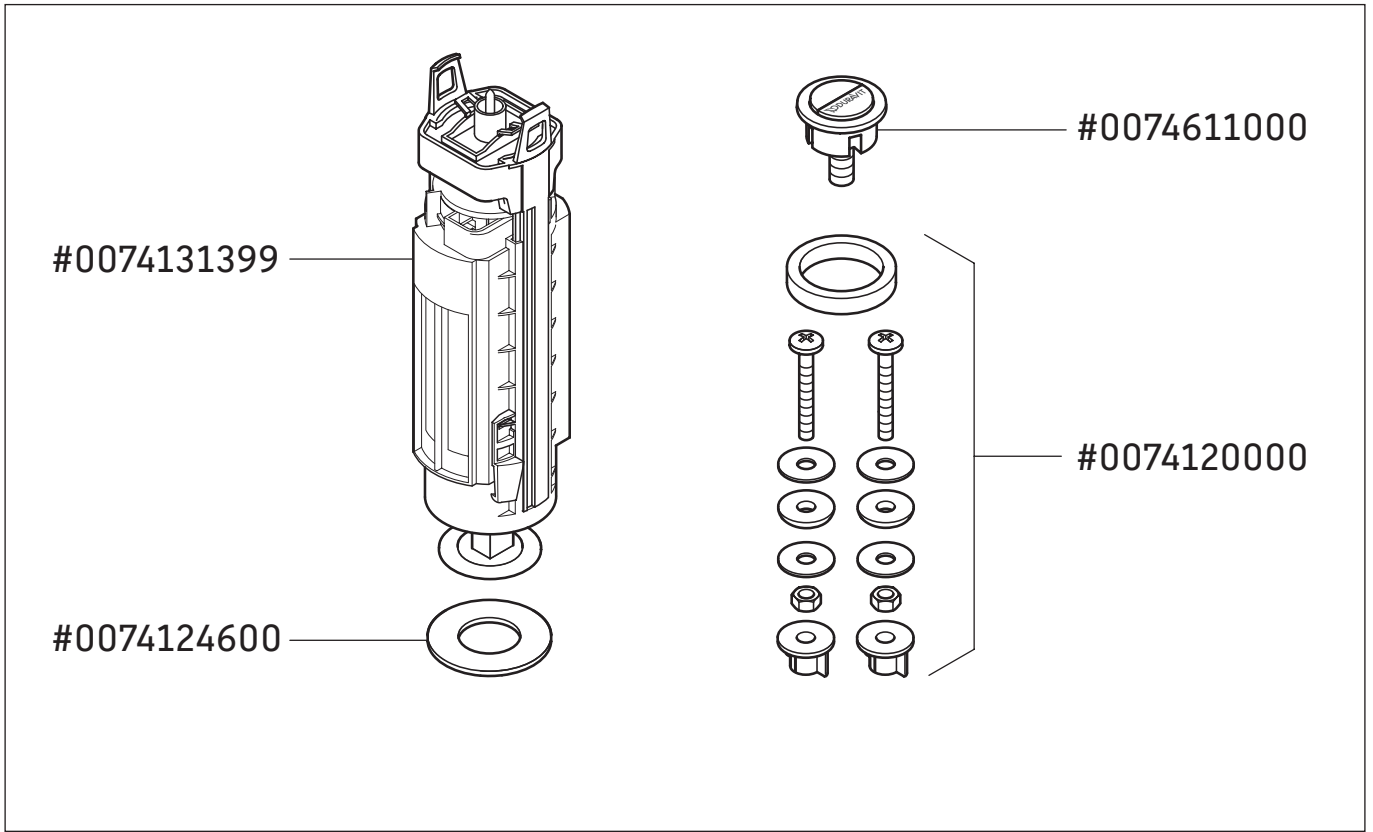
# 0074611000







			 WL	 XX	 YY
1930	022709 00 00	087220 00 05	205	29	12
1930	022709 00 00	087221 00 05	205	29	12
Lago	019509 41 00	087400 00 05	185	32	13
2nd floor	211609 00 00	087600 00 05	200	29	12
2nd floor	211609 00 00	087610 00 05	200	29	12
Duraplus	023009 00 00	087920 00 05	175	35	15
Duraplus	023009 00 00	087921 00 05	175	35	15
Vero	211609 00 00	090900 00 05	195	32	13
Vero	211609 00 00	090910 00 05	195	32	13
Vero	211609 00 00	090910 00 05	195	32	13
Foster	017609 00 00	091200 00 05	200	31	12
Foster	017609 00 00	091210 00 05	200	31	12
Starck 3	012609 00 00	092000 00 05	204	29	13
Starck 3	012609 00 00	092000 00 85	204	29	9
Starck 3	012609 00 00	092010 00 05	204	29	13
Starck 3	012609 00 00	092010 00 85	204	29	9
D-Code	211809 00 00	092730 00 05	185	33	13
Darling New	213809 00 00	093100 00 05	215	29	12
Darling New	213809 00 00	093100 00 85	215	28	9
Darling New	213809 00 00	093110 00 05	215	29	12
Darling New	213809 00 00	093110 00 85	215	28	9
Darling New	213809 00 00	093111 00 05	216	28	7
Darling New	213809 00 00	093140 00 05	217	28	8
Happy D.2	217609 00 00	093400 00 05	215	29	12
Happy D.2	217609 00 00	093400 00 85	215	28	9
Happy D.2	217609 00 00	093410 00 05	215	29	12
Happy D.2	217609 00 00	093410 00 85	215	28	9
DuraStyle	216209 00 00	093500 00 05	210	29	12
DuraStyle	216209 00 00	093500 00 85	210	28	9
DuraStyle	216209 00 00	093510 00 05	210	29	12
DuraStyle	216209 00 00	093510 00 85	210	28	9
P3 Comforts	216309 00 00	093700 00 05	203	31	13
P3 Comforts	216309 00 00	093700 00 85	203	29	10
P3 Comforts	216309 00 00	093710 00 05	203	31	13
P3 Comforts	216309 00 00	093710 00 85	203	29	10
ME by Starck	217009 00 00	093800 00 05	200	29	12
ME by Starck	217009 00 00	093800 00 85	200	28	9
ME by Starck	217009 00 00	093810 00 05	200	29	12
ME by Starck	217009 00 00	093810 00 85	200	28	9







Duravit AG  
P.O. Box 240  
Werderstr. 36  
78132 Hornberg  
Germany  
Phone +49 78 33 70 0  
Fax +49 78 33 70 289  
info@duravit.com  
www.duravit.com

---

